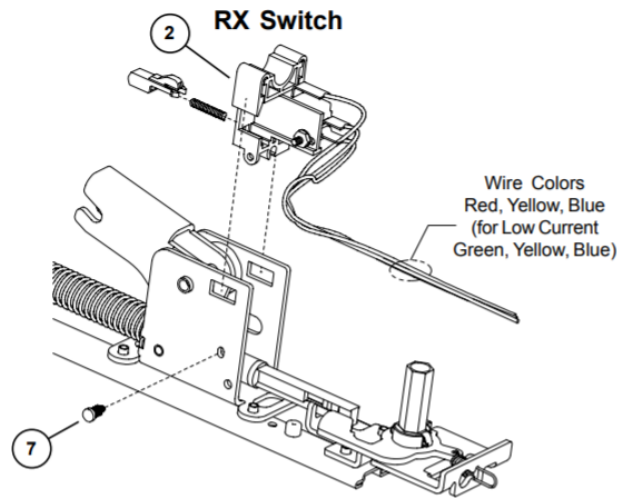


Von Duprin 99 series Exit Device Request to Exit Switch

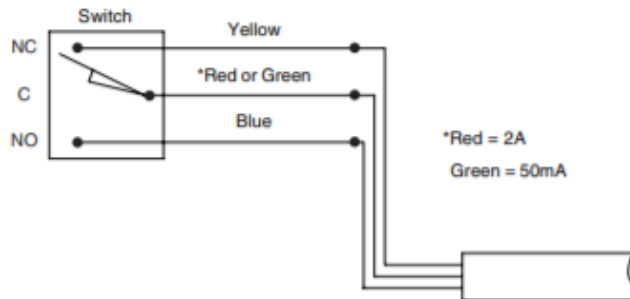


RX or RX-LC/S1 Switch Wiring

RX - Switch is intended for signaling purposes only and is rated for a maximum 2 ampere resistance load at 24VDC/AC. Use with inductive or capacitive loads (magnetic locks or solenoid devices) derates the capacity of the switch. Consult the factory for assistance.

RX-LC - Switch is intended for systems using low current signals and is rated for a maximum 50mA. Consult the factory for assistance.

1. The RX touchbar monitor switch is activated whenever the touchbar is depressed.
2. The switch function is shown with the latchbolt extended and the touchbar not depressed.



3. Mark and drill wiring access hole on inside face of door (only after device is cut to length).
4. The Von Duprin EPT-10 power transfer (for three wires) or EPT-2 power transfer (for two wires) is required to transfer the wiring from the door to the frame.
5. Connect the power transfer wires and switch assembly wires with crimp connectors. Unused wires should be insulated separately.

