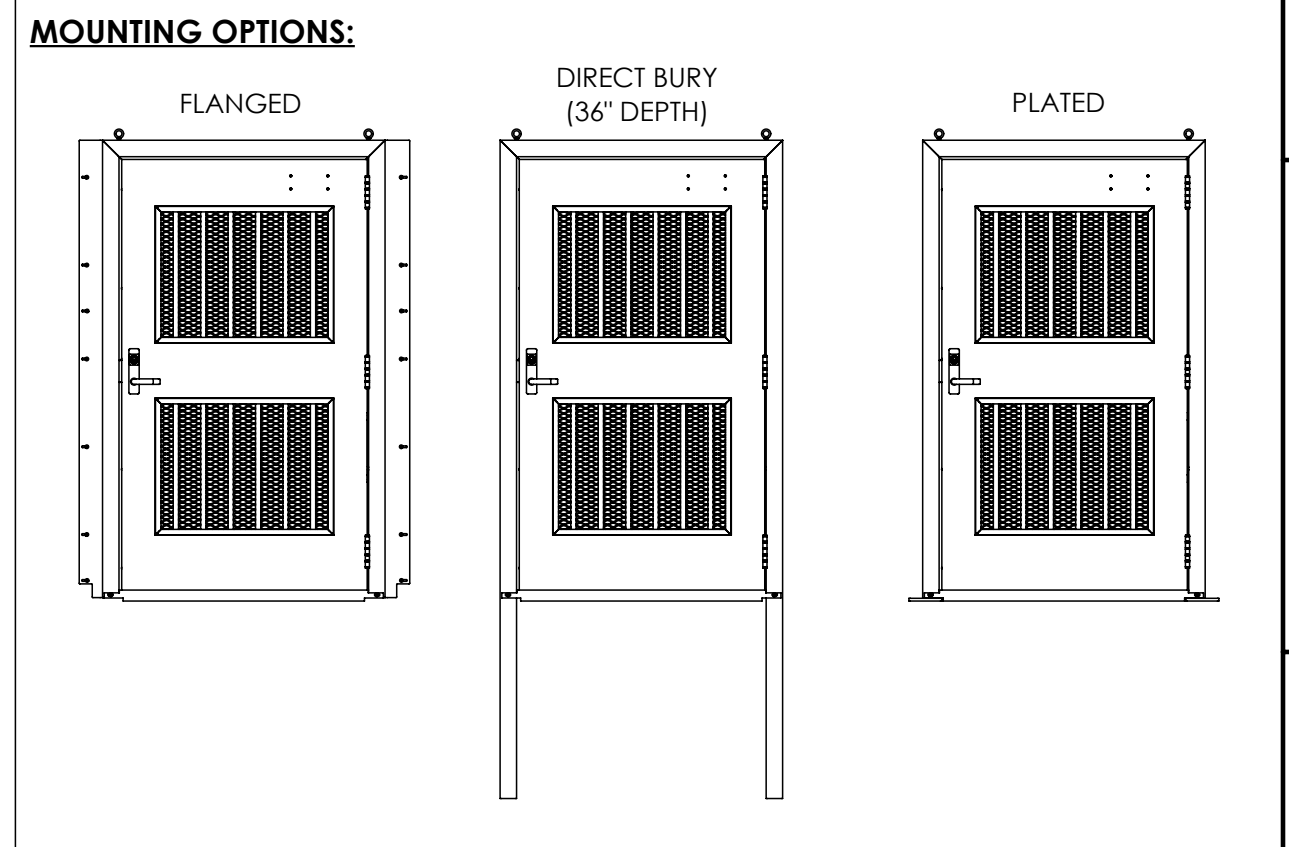
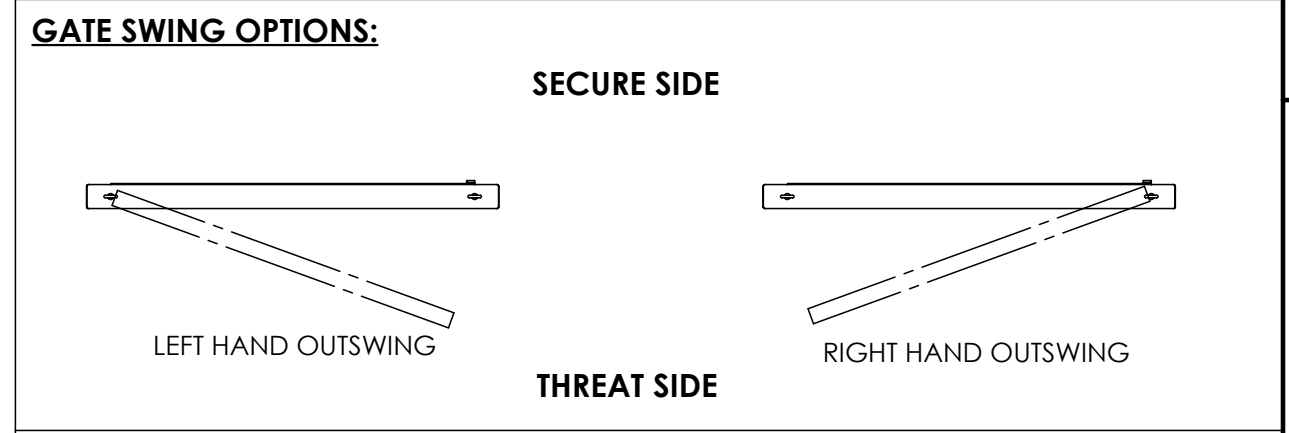
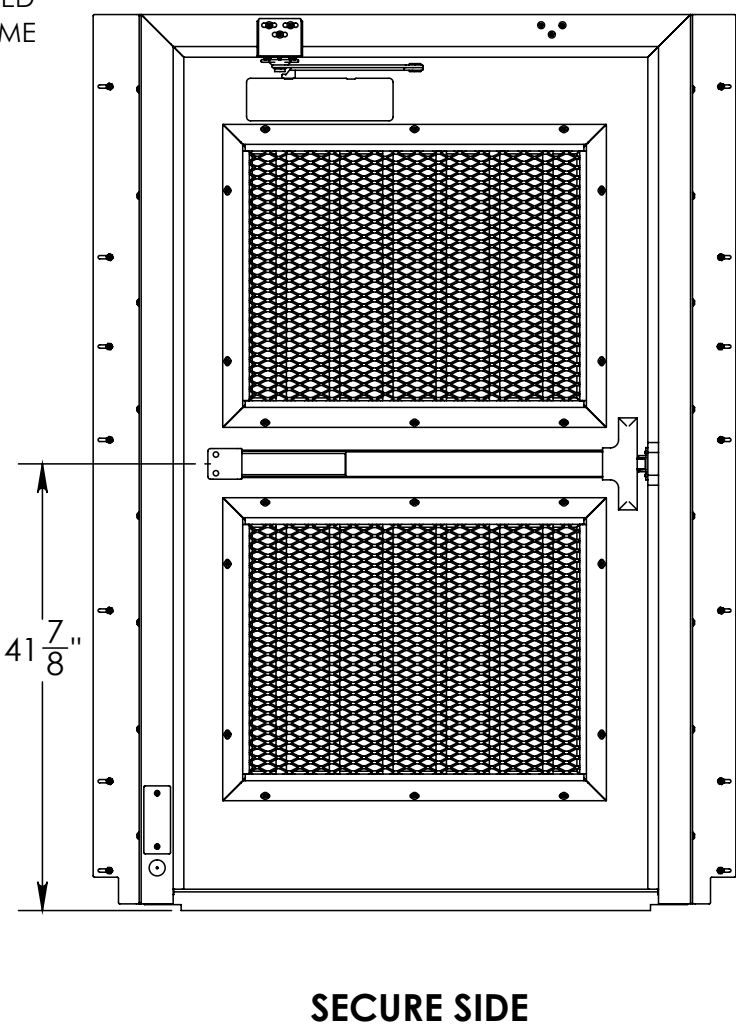
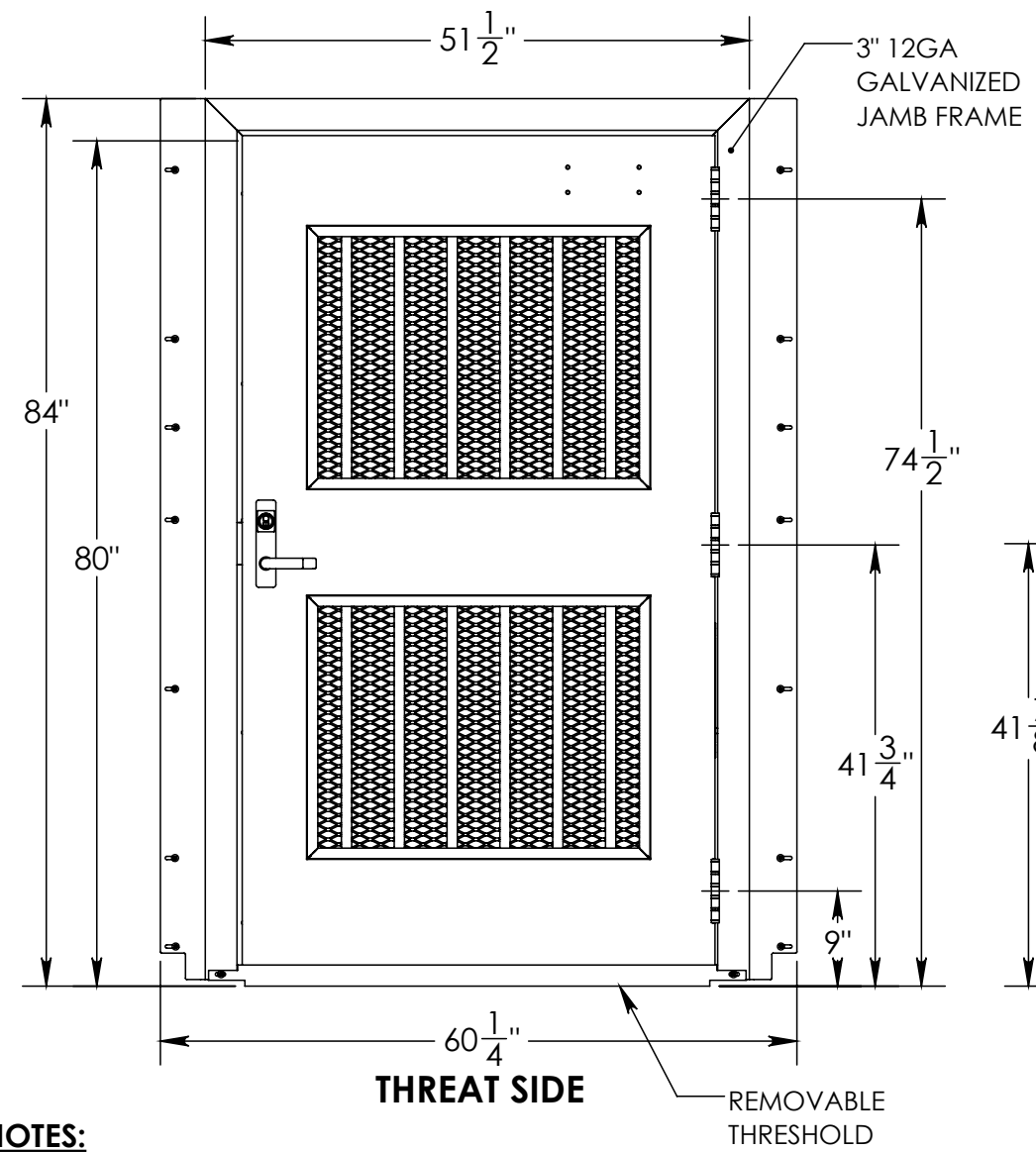
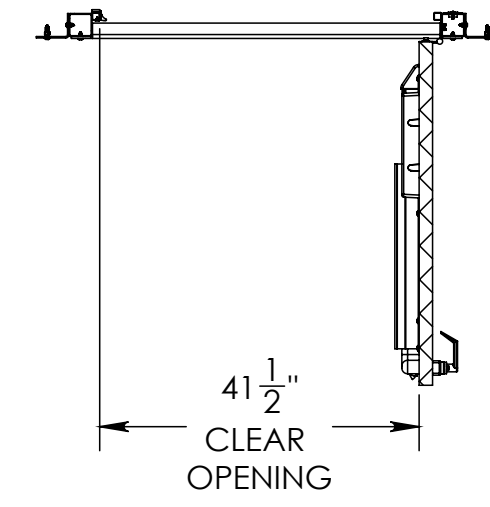
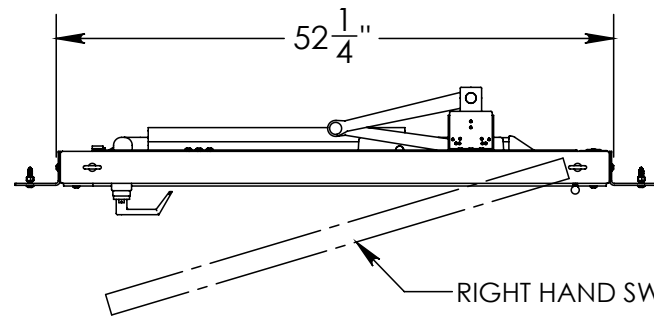


REV	DESCRIPTION	DATE	ENGINEER



NOTES:
 GATE SHOWN WITH RIGHT HAND OUTSWING
 3" 12GA GALVANIZED JAMB (STANDARD)
 1-3/4" 14GA GALVANIZED GATE (STANDARD)
 DETEX TRIM HANDLE
 DETEX V40 SERIES EXIT DEVICE
 NORTON 7500 PARALLEL ARM CLOSER
 HEAVY DUTY MCKINNEY HINGE (X3) (STANDARD)
 6" X 12" BASE PLATE (OTHER MOUNTING OPTIONS AVAILABLE)
 1" PICKET WITH XSPAN INFILL (OTHER INFILL OPTIONS AVAILABLE)

<p>NOTICE TO PERSONS RECEIVING THIS DRAWING AND/OR TECHNICAL INFORMATION Ameristar Perimeter Security USA Inc claims proprietary rights to the material disclosed herein. This drawing and/or technical information is issued in confidence for engineering information only and may not be reproduced or used to manufacture anything shown or referred to herein without direct written permission from Ameristar Perimeter Security USA Inc to the user. This drawing and/or technical information is the property of Ameristar Perimeter Security USA Inc and is loaned for mutual assistance to be returned when its purpose has been served.</p>	<p>UNLESS OTHERWISE SPECIFIED TOLERANCES</p> <p>X.X ± .06 X.XX ± .03 X.XXX ± .02 ANGLES ± 0.5° FRACTIONS ± 1/8 SURFACE FINISH 63/</p>	<p>DRAWING COMPLIES WITH ASME Y14.5M - 1994</p> <p>INCH</p> <p>MM</p> <p>THIRD ANGLE PROJECTION</p>	<p>EXODUS GATE</p>		
	<p>HEAT TREATMENT</p>	<p>DATE CREATED 7/20/2017</p>	<p>DRAWN BY nathan</p>	<p>DESIGNED BY nathan</p>	
	<p>SURFACE/FINISH</p>	<p>DOCUMENT ID</p>	<p>SCALE 1:18</p>	<p>SIZE B</p>	<p> </p>

HARDWARE OPTIONS:

SET 1:
 DETEX V40 EXIT DEVICE
 SECURITECH ELECTRIFIED TRIM HANDLE
 NORTON 7500 PARALLEL ARM CLOSER

SET 2:
 DETEX V40 EXIT DEVICE
 DETEX NARROW STYLE TRIM HANDLE
 NORTON 7500 PARALLEL ARM CLOSER

SET 3:
 DETEX V40 EXIT DEVICE
 ROCKWOOD VRT16 PULL HANDLE
 NORTON 7500 PARALLEL ARM CLOSER
 FOR ELECTRIC LATCH RETRACTION
 ADD "EL", EXAMPLE: 3EL

SET 4:
 VON DUPRIN 99 SERIES EXIT DEVICE
 ROCKWOOD VRT16 PULL HANDLE
 LCN 4040XPSRI PARALLEL ARM CLOSER
 FOR CALIFORNIA BUILDING CODES (CBC)
 ADD "C", EXAMPLE: 4C
 FOR QUIET ELECTRIC RETRACTION
 ADD "EL", EXAMPLE: 4EL, 4CEL

SET 5:
 VON DUPRIN 99 SERIES EXIT DEVICE
 VON DUPRIN 996 TRIM HANDLE
 LCN 4040XPSRI PARALLEL ARM CLOSER
 FOR CALIFORNIA BUILDING CODES (CBC)
 ADD "C", EXAMPLE: 5C

SET 6:
 VON DUPRIN 99 SERIES EXIT DEVICE
 VON DUPRIN E996L ELECTRIFIED TRIM HANDLE
 LCN 4040XPSRI PARALLEL ARM CLOSER
 FOR CALIFORNIA BUILDING CODES (CBC)
 ADD "C", EXAMPLE: 6C
 FOR MICRO SWITCH, ADD "RX", EXAMPLE "6RX"

SET 7:
 DETEX V40 EXIT DEVICE
 SIMPLEX DIGITAL LOCK WITH TRIM HANDLE
 NORTON 7500 PARALLEL ARM CLOSER

SET 7V:
 VON DUPRIN 99 SERIES EXIT DEVICE
 SIMPLEX DIGITAL LOCK WITH TRIM HANDLE
 LCN 4040XPSRI PARALLEL ARM CLOSER

SET 8:
 SARGENT 8200 MORTISE LOCK
 NORTON 7500 PARALLEL ARM CLOSER
 FOR ELECTRIFIED MORTISE, ADD "E", EXAMPLE "8E"

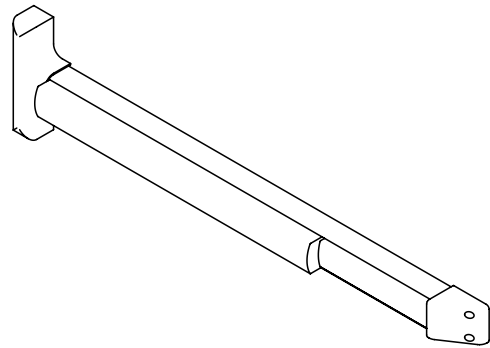
SET 9:
 DETEX V40 EXIT DEVICE WITH ALARM
 DETEX NARROW STYLE TRIM HANDLE
 NORTON 7500 PARALLEL ARM CLOSER

SET 10:
 DETEX V40 EXIT DEVICE WITH ALARM
 SECURITECH ELECTRIFIED TRIM HANDLE
 NORTON 7500 PARALLEL ARM CLOSER

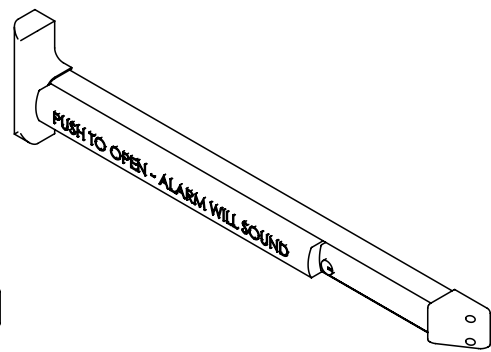
SET 11:
 DETEX V40 EXIT DEVICE WITH ALARM
 ROCKWOOD VRT16 PULL HANDLE
 NORTON 7500 PARALLEL ARM CLOSER

SET 12:
 DETEX A40 (3 AMP REQUEST TO EXIT SWITCH) EXIT DEVICE
 SECURITECH TRIM HANDLE
 NORTON 7500 PARALLEL ARM CLOSER

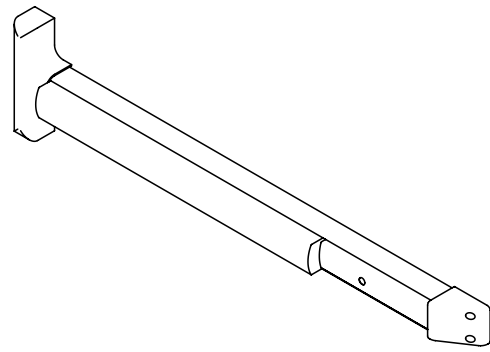
DETEX V40 SERIES EXIT DEVICE



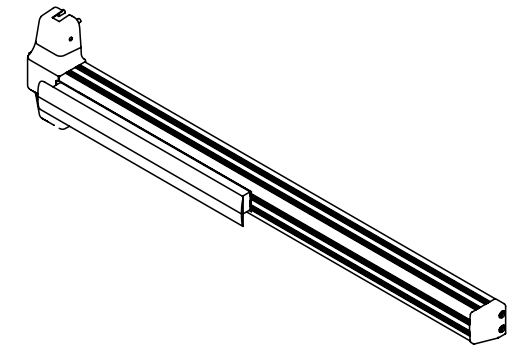
DETEX V40 SERIES EXIT DEVICE WITH ALARM



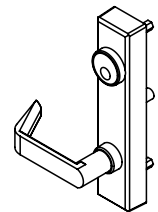
DETEX A40 (3 AMP REQUEST TO EXIT SWITCH) EXIT DEVICE



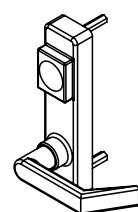
VON DUPRIN 99 SERIES EXIT DEVICE



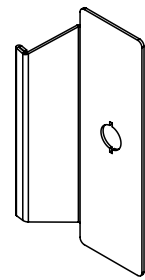
SECURITECH TRIM HANDLE



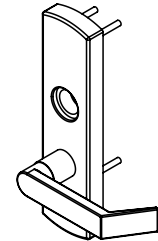
DETEX TRIM HANDLE



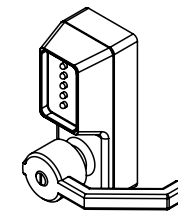
ROCKWOOD PULL HANDLE



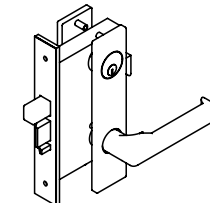
VON DUPRIN 996/ E996L TRIM HANDLE



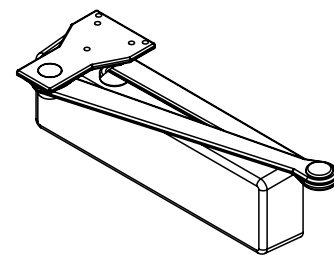
SIMPLEX PULL HANDLE



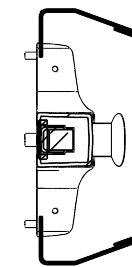
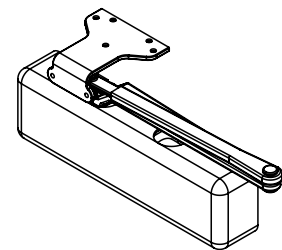
SARGENT 8200 MORTISE LOCK



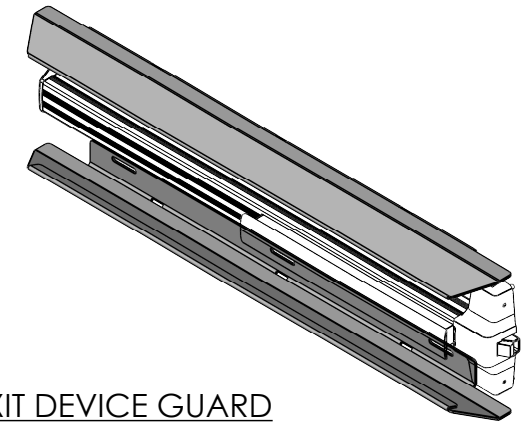
NORTON 7500 PARALLEL ARM CLOSER



LCN 4040XPSRI PARALLEL ARM CLOSER



EXIT DEVICE GUARD
 P/N: PHEG42



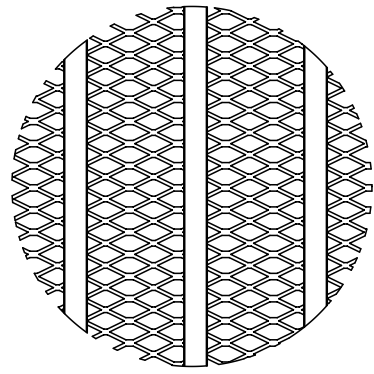
NOTICE TO PERSONS RECEIVING THIS DRAWING AND/OR TECHNICAL INFORMATION
 Ameristar Perimeter Security USA Inc claims proprietary rights to the material disclosed herein. This drawing and/or technical information is issued in confidence for engineering information only and may not be reproduced or used to manufacture anything shown or referred to herein without direct written permission from Ameristar Perimeter Security USA Inc to the user. This drawing and/or technical information is the property of Ameristar Perimeter Security USA Inc and is loaned for mutual assistance to be returned when its purpose has been served.

UNLESS OTHERWISE SPECIFIED TOLERANCES X.X ±.06 X.XX ±.03 X.XXX ±.02 ANGLES ±0.5° FRACTIONS ± 1/8 SURFACE FINISH 63/	DRAWING COMPLIES WITH ASME Y14.5M - 1994
	INCH MM
THIRD ANGLE PROJECTION	HEAT TREATMENT
ASSA ABLOY Ameristar Perimeter Security USA Inc Tulsa	SURFACE/FINISH

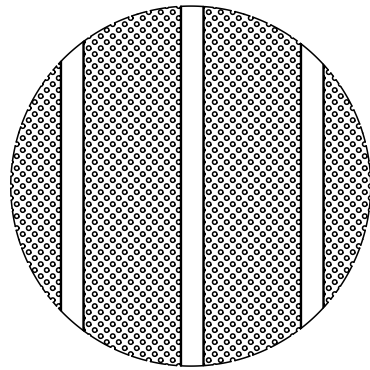
DATE CREATED	7/20/2017	DRAWN BY	nathan	DESIGNED BY	nathan
DOCUMENT ID		SCALE	1:12	SIZE	B

EXODUS GATE	
CONFIGURATION	Default
LEGACY ID	

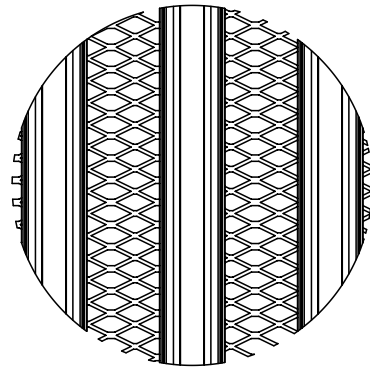
INFILL OPTIONS:



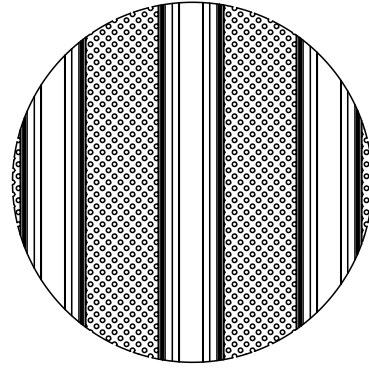
1" PICKET W/
3/4" #9 FLAT EXPANDED METAL



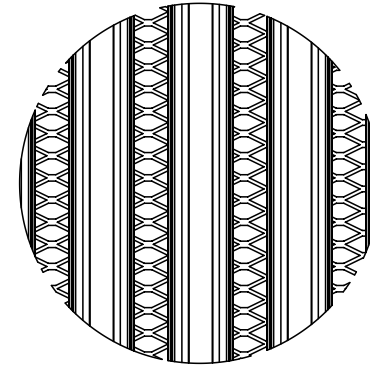
1" PICKET W/
3/16" RND X 1/2" 18 GA PERF



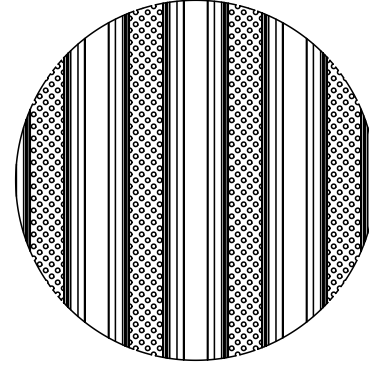
PALE W/
3/4" #9 FLAT EXPANDED METAL



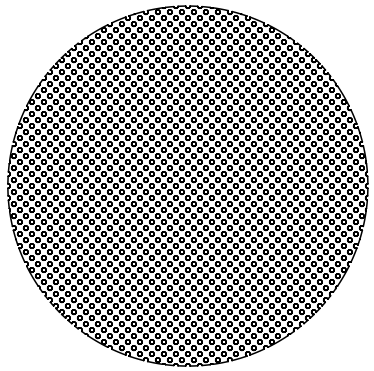
PALE W/
3/16" RND X 1/2" 18 GA PERF



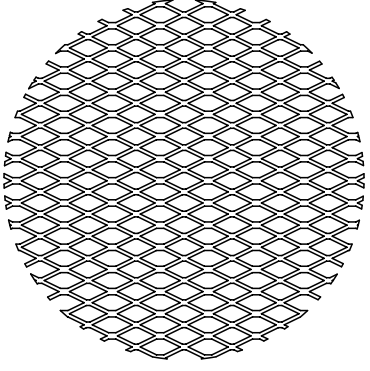
ANTI-CLIMB PALE W/
3/4" #9 FLAT EXPANDED METAL



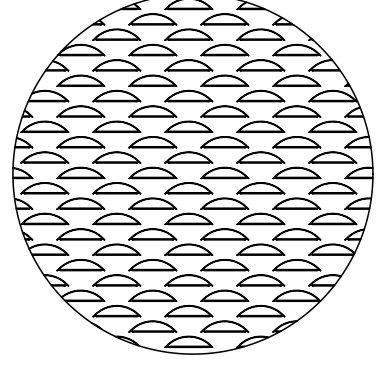
ANTI-CLIMB PALE W/
3/16" RND X 1/2" 18 GA PERF



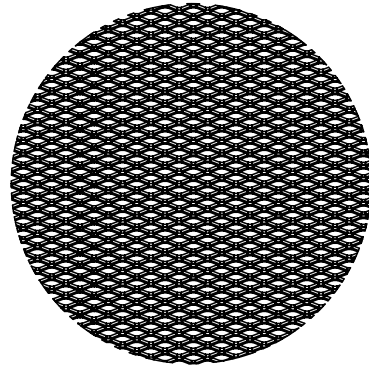
3/16" RND X 1/2" 18 GA PERF



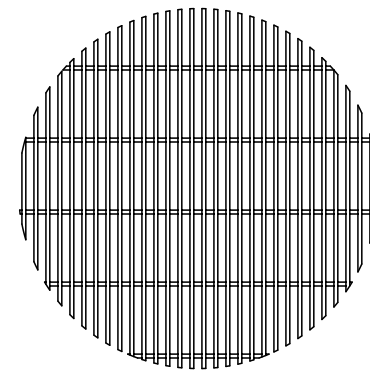
X-SPAN®
.75" x #9F



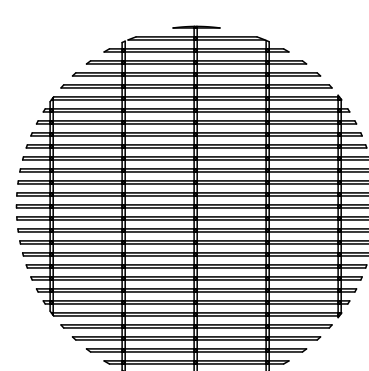
X-SCREEN®
1.5" x #14



X-SPAN® MODIFIED
.5" x #13R (.188 STRAND)



WIREWORKS®
.5" x 3" x 8ga & 6ga



WIREWORKS ANTI-CLIMB®
3" X .5" x 10.5ga

NOTICE TO PERSONS RECEIVING THIS DRAWING AND/OR TECHNICAL INFORMATION
Ameristar Perimeter Security USA Inc claims proprietary rights to the material disclosed hereon. This drawing and/or technical information is issued in confidence for engineering information only and may not be reproduced or used to manufacture anything shown or referred to hereon without direct written permission from Ameristar Perimeter Security USA Inc to the user. This drawing and/or technical information is the property of Ameristar Perimeter Security USA Inc and is loaned for mutual assistance to be returned when its purpose has been served.

UNLESS OTHERWISE SPECIFIED TOLERANCES
X.X ± .06
X.XX ± .03
X.XXX ± .02
ANGLES ± 0.5°
FRACTIONS ± 1/8
SURFACE FINISH 63/

ASSA ABLOY

Ameristar Perimeter Security USA Inc
Tulsa

DRAWING COMPLIES WITH
ASME Y14.5M - 1994

INCH
MM

THIRD ANGLE
PROJECTION

MATERIAL

HEAT TREATMENT

SURFACE/FINISH

MASS
lb

VOLUME

SURFACE AREA
in²

EXODUS GATE

DATE CREATED
7/20/2017

DRAWN BY
nathan

DESIGNED BY
nathan

DOCUMENT ID

SCALE
1:25

SIZE
B

DRAWING NUMBER (ALT ID)