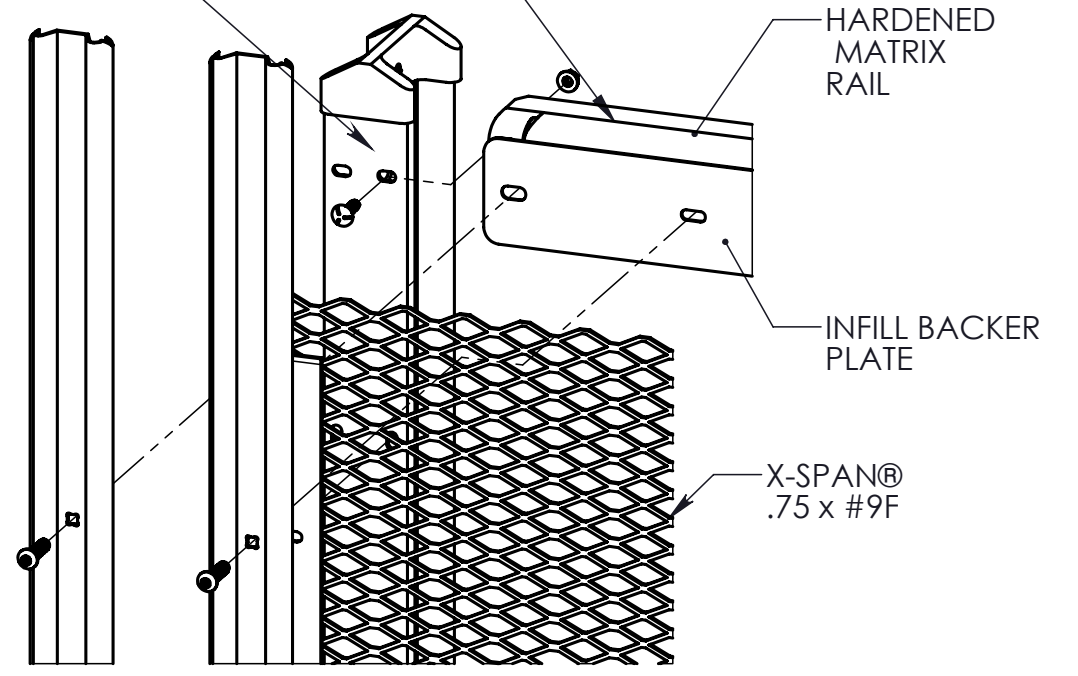


MATRIX I-BEAM POSTS PROVIDE STRENGTH AND INTEGRATED DESIGN FUNCTIONALITY. THE I-BEAM FLANGE IS MANUFACTURED TO EASILY CONNECT SYSTEMRAILS WITHOUT ANY ADDITIONAL BRACKET ATTACHMENTS. THE I-BEAM WEB DESIGN ALSO HAS PASS THROUGH PORTS AT EACH RAIL LOCATION FOR TOTAL SYSTEMS INTEGRATION

HARDENED MATRIX RAILS ARE NOT ONLY DESIGNED AS STRUCTURAL FRAMEWORK, BUT ALSO TO BE LEVERAGED AS A RACEWAY FOR IDS, CONDUITS, LOW VOLTAGE WIRING AND/OR ANTI-RAM CABLING



- NOTE:
- ADDITIONAL HEIGHT OPTIONS AVAILABLE UPON REQUEST (9'-9" HT SHOWN)
 - HARDENED MATRIX RAIL QUANTITY CONFIGURATIONS:
 - 9'-9" HT / 3 RAIL
 - 11'-9" HT / 3 RAIL
 - 13'-10" HT / 4 RAIL
 - 16'-10" HT / 4 RAIL
 - 4" I-BEAM USED ON 9'-9", 11'-9", 13'-10", & 16'-10" HEIGHTS

NOTICE TO PERSONS RECEIVING THIS DRAWING AND/OR TECHNICAL INFORMATION Ameristar Perimeter Security USA Inc claims proprietary rights to the material disclosed herein. This drawing and/or technical information is issued in confidence for engineering information only and may not be reproduced or used to manufacture anything shown or referred to herein without direct written permission from Ameristar Perimeter Security USA Inc to the user. This drawing and/or technical information is the property of Ameristar Perimeter Security USA Inc and is loaned for mutual assistance to be returned when its purpose has been served.	UNLESS OTHERWISE SPECIFIED TOLERANCES X.X ± .06 X.XX ± .03 X.XXX ± .02 ANGLES ± 0.5° FRACTIONS ± 1/8 SURFACE FINISH 63/	DRAWING COMPLIES WITH ASME Y14.5M - 1994 INCH MM	MATERIAL SEE BOM	HARDENED MATRIX ARCHITCTURAL PRINT-STRONGHOLD		
	ASSA ABLOY Ameristar Perimeter Security USA Inc Tulsa	THIRD ANGLE PROJECTION	HEAT TREATMENT	DATE CREATED 04/12/2022	DRAWN BY KMC	DESIGNED BY KMC
	MASS 479.01 lb	VOLUME 1651.68 in ³	SURFACE AREA 42909.40 in ²	DOCUMENT ID	SCALE 1:22	SIZE B
	CONFIGURATION Default			DRAWING NUMBER (AL) HARDENED MATRIX ARCHITECTURAL		