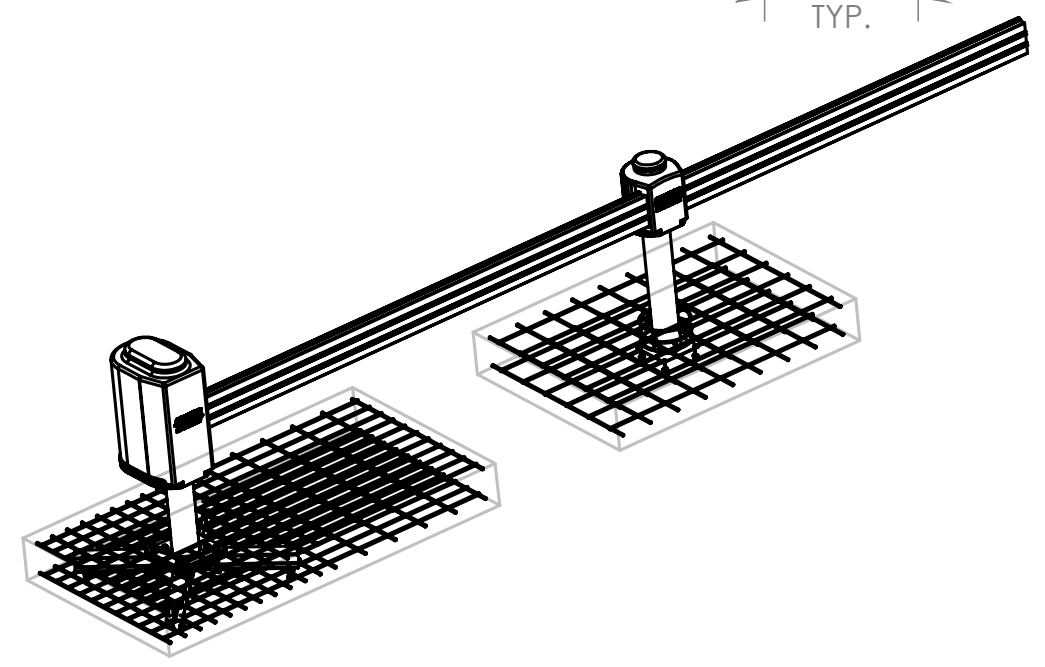
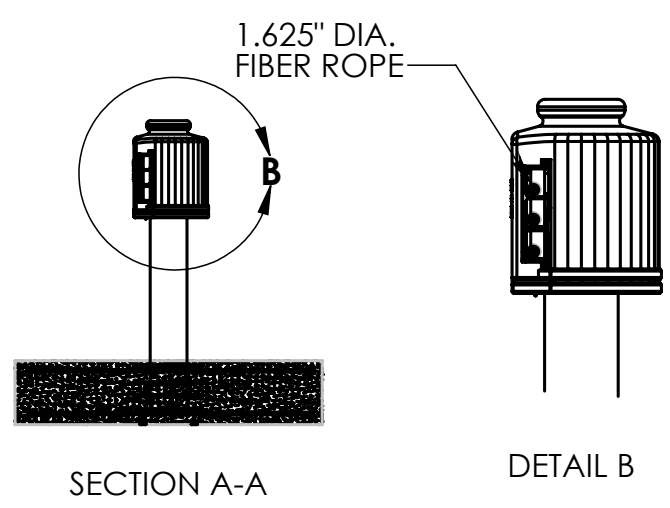
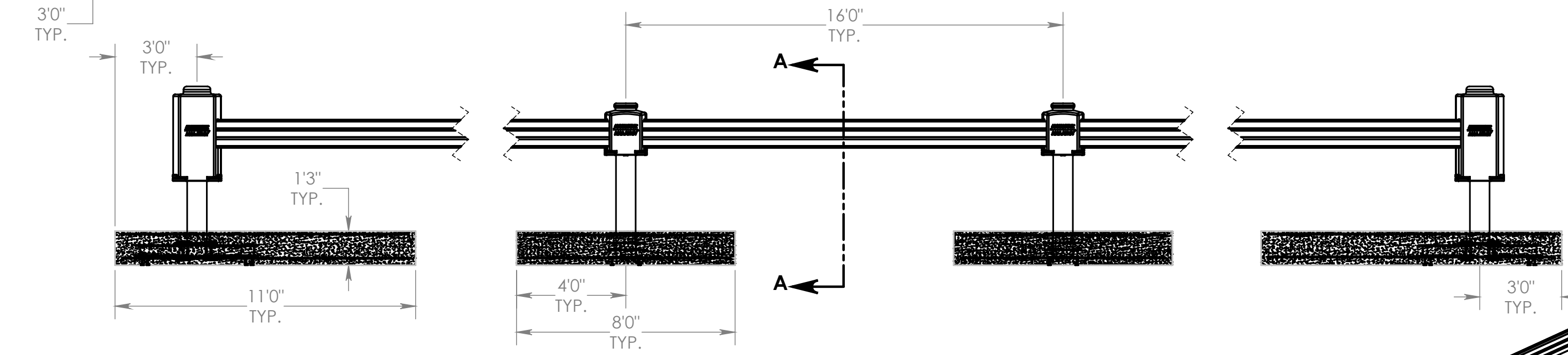
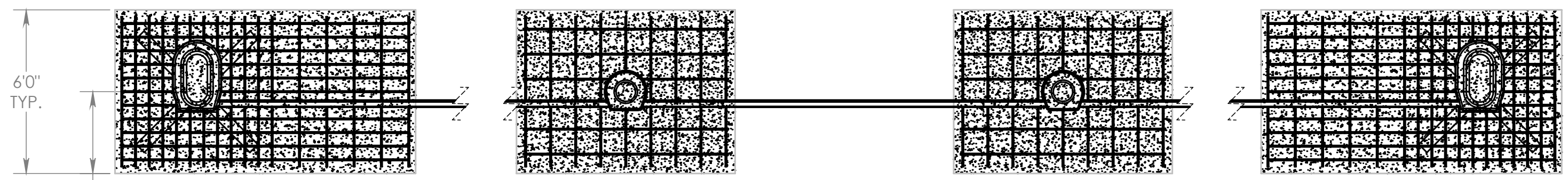


| | | | |
|-----|-------------|------|----------|
| REV | DESCRIPTION | DATE | ENGINEER |
|-----|-------------|------|----------|



- NOTES:
1. STALWART OPTIMA IS A M30/P1 CONTINUOUS BARRIER SYSTEM OF ANY LENGTH INSTALLED WITH POST PACED AT 6 ON CENTER.
 2. REFER TO REBAR INSTALLATION DRAWINGS FOR CONCRETE FOOTINGS REINFORCEMENT LAYOUT.
 3. WHEN SYSTEM EXCEEDS CHANGE IN DIRECTION GREATER THAN 5 DEGREES, CORNERPOSTS SHALL BE INSTALLED.

| | | | | | | |
|--|---|---|--|--|--|--|
| <p>NOTICE TO PERSONS RECEIVING THIS DRAWING AND/OR TECHNICAL INFORMATION Ameristar Perimeter Security USA Inc claims proprietary rights to the material disclosed herein. This drawing and/or technical information is issued in confidence for engineering information only and may not be reproduced or used to manufacture anything shown or referred to herein without direct written permission from Ameristar Perimeter Security USA Inc to the user. This drawing and/or technical information is the property of Ameristar Perimeter Security USA Inc and is loaned for mutual assistance to be returned when its purpose has been served.</p> | <p>UNLESS OTHERWISE SPECIFIED TOLERANCES</p> <p>X.X ± .06 X.XX ± .03 X.XXX ± .02</p> <p>ANGLES ± 0.5° FRACTIONS ± 1/8 SURFACE FINISH 63</p> | <p>DRAWING COMPLIES WITH ASME Y14.5M - 1994</p> <p>INCH MM</p> <p>THIRD ANGLE PROJECTION</p> | <p>MATERIAL SEE BOM</p> <p>HEAT TREATMENT</p> <p>SURFACE/FINISH</p> <p>MASS N/A lb VOLUME N/A in³ SURFACE AREA N/A in²</p> | <p>STALWART OPTIMA ARCH SPEC</p> | | |
| | <p>ASSA ABLOY Ameristar Perimeter Security USA Inc Tulsa</p> | | <p>DATE CREATED 9/20/2018</p> <p>DESIGNED BY robnic</p> | <p>DRAWN BY robnic</p> <p>SCALE 1:45</p> <p>SIZE B</p> | <p>DRAWING NUMBER (ALT ID) STALWART OPTIMA ARCH SPEC</p> | |
| | <p>LEGACY ID</p> | | <p>CONFIGURATION Default</p> | | <p>SHEET 1 OF 1</p> | |
| | <p>CONFIGURATION Default</p> | | | | | |