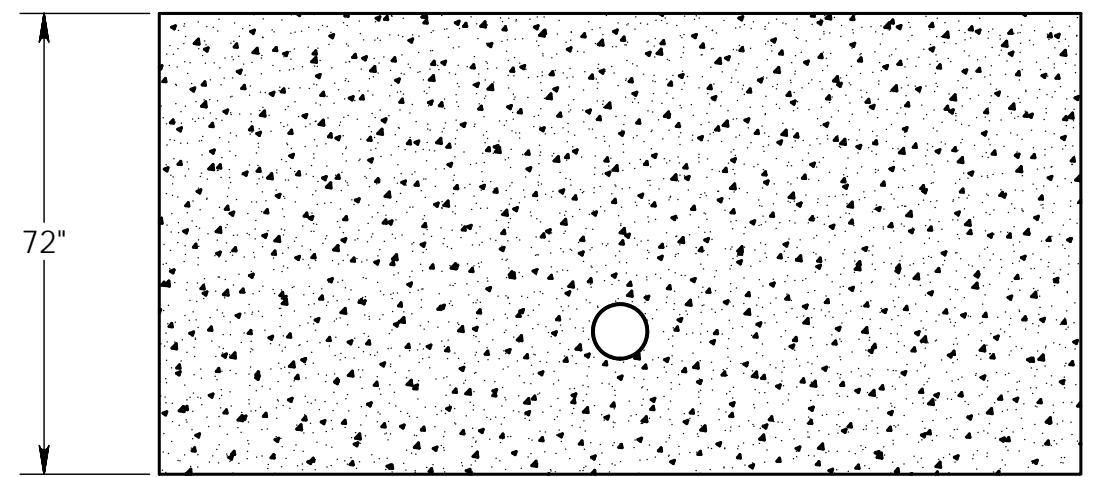
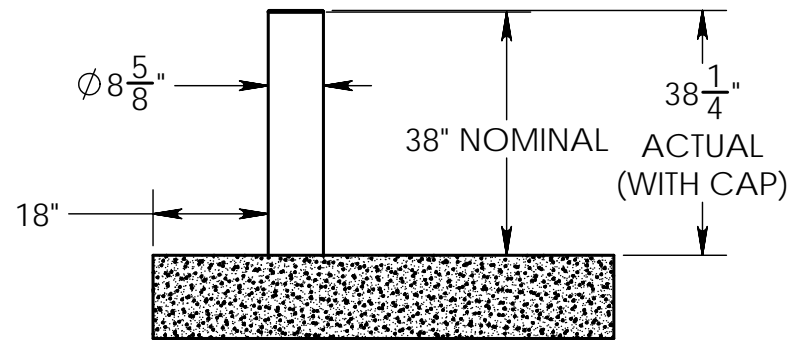
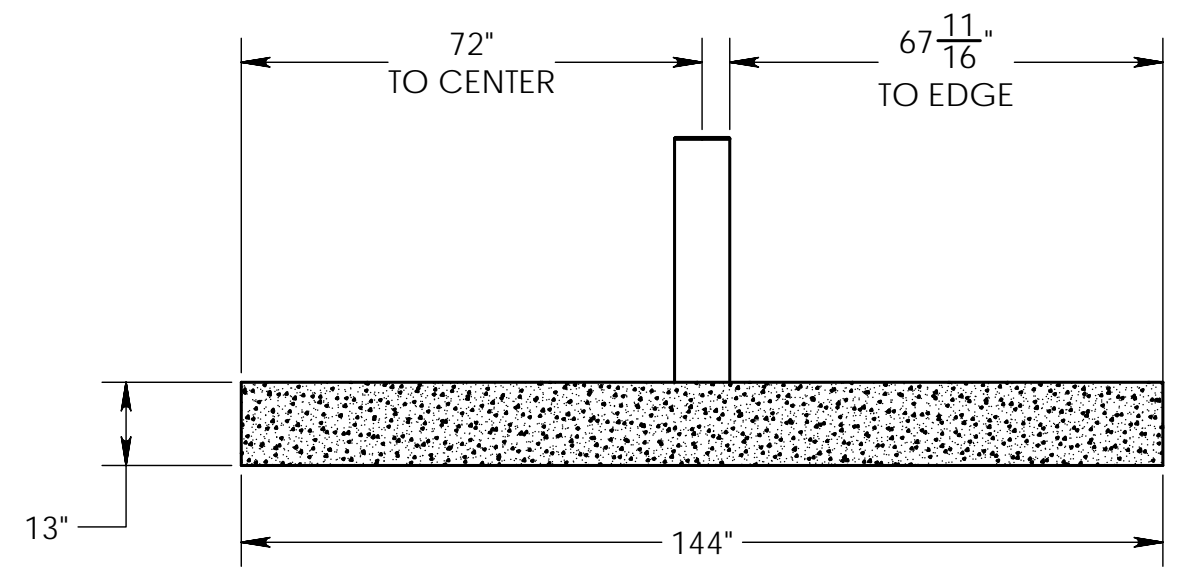
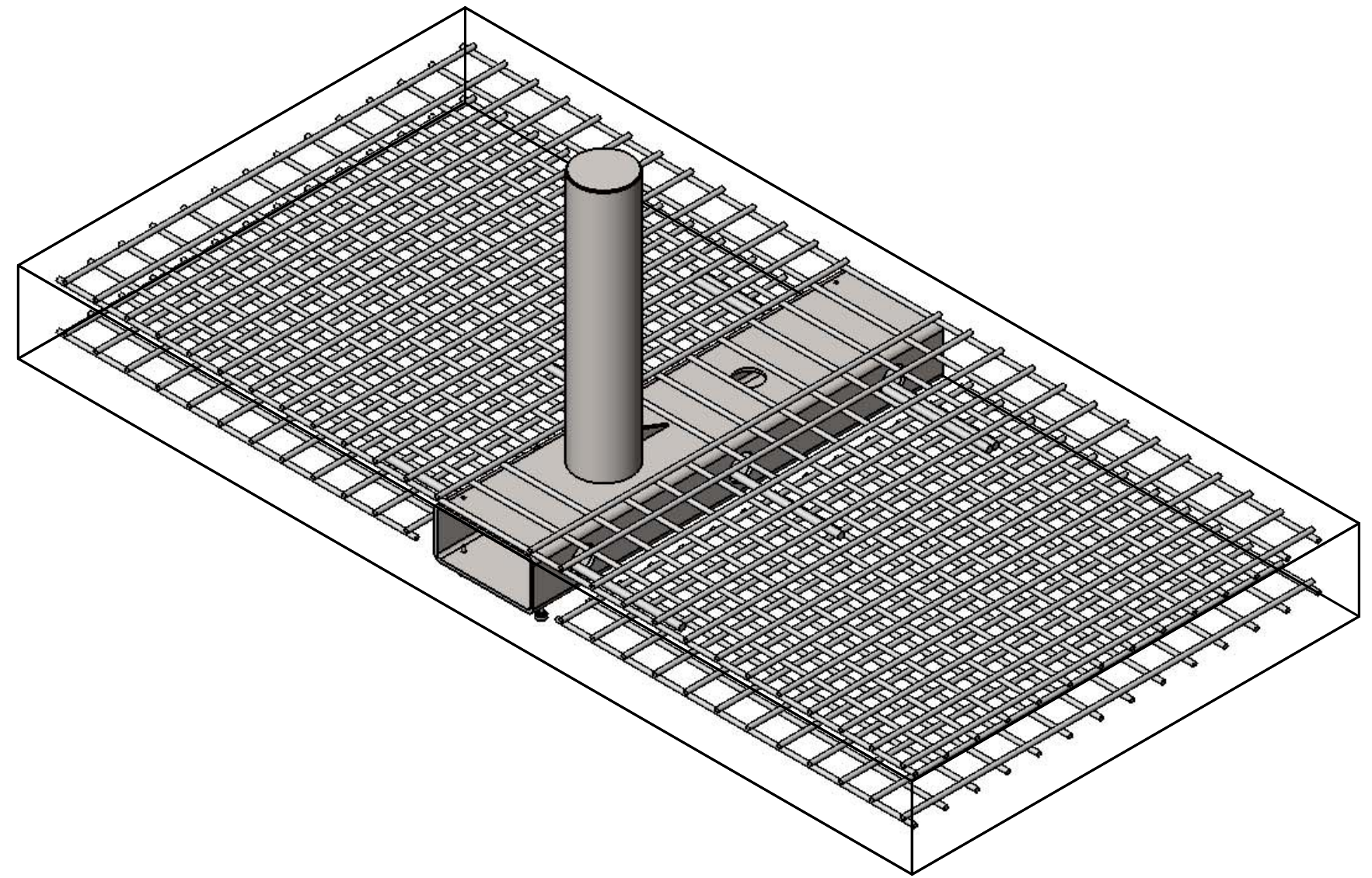


REV	DESCRIPTION	DATE	ENGINEER
-----	-------------	------	----------



↑  
ATTACK SIDE



- NOTES:  
 1. 4000 PSI CONCRETE SPECIFIED.  
 2. SLEEVE CAN BE PURCHASED SEPARATELY.

<p><b>NOTICE TO PERSONS RECEIVING THIS DRAWING AND/OR TECHNICAL INFORMATION</b>                  Ameristar Perimeter Security USA Inc claims proprietary rights to the material disclosed hereon. This drawing and/or technical information is issued in confidence for engineering information only and may not be reproduced or used to manufacture anything shown or referred to hereon without direct written permission from Ameristar Perimeter Security USA Inc to the user. This drawing and/or technical information is the property of Ameristar Perimeter Security USA Inc and is loaned for mutual assistance to be returned when its purpose has been served.</p>	<p>UNLESS OTHERWISE SPECIFIED TOLERANCES</p> <p>X.X ± .06                  X.XX ± .03                  X.XXX ± .02</p> <p>ANGLES ± 0.5°                  FRACTIONS ± 1/8                  SURFACE FINISH 63/</p>	<p>DRAWING COMPLIES WITH ASME Y14.5M - 1994</p> <p>INCH</p> <p>MM</p>	<p>MATERIAL SEE BOM</p>	<p><b>BLWK-HD M30-P1 SHLW FIX BOL ARCH SPEC</b></p>	
	<p>THIRD ANGLE PROJECTION</p>	<p>HEAT TREATMENT</p>	<p>DATE CREATED 8/21/2017</p>	<p>DRAWN BY robnic</p>	<p>DESIGNED BY robnic</p>
	<p><b>ASSA ABLOY</b>                  Ameristar Perimeter Security USA Inc                  Tulsa</p>	<p>SURFACE/FINISH</p>	<p>DOCUMENT ID</p>	<p>SCALE 1:30</p>	<p>SIZE B</p>
	<p>MASS N/A lb</p>	<p>VOLUME N/A in<sup>3</sup></p>	<p>SURFACE AREA N/A in<sup>2</sup></p>	<p>DRAWING NUMBER (ALT ID)  <b>BKHD30SS ARCH SPEC</b></p>	

CONFIGURATION Default

LEGACY ID 17-5000-00103