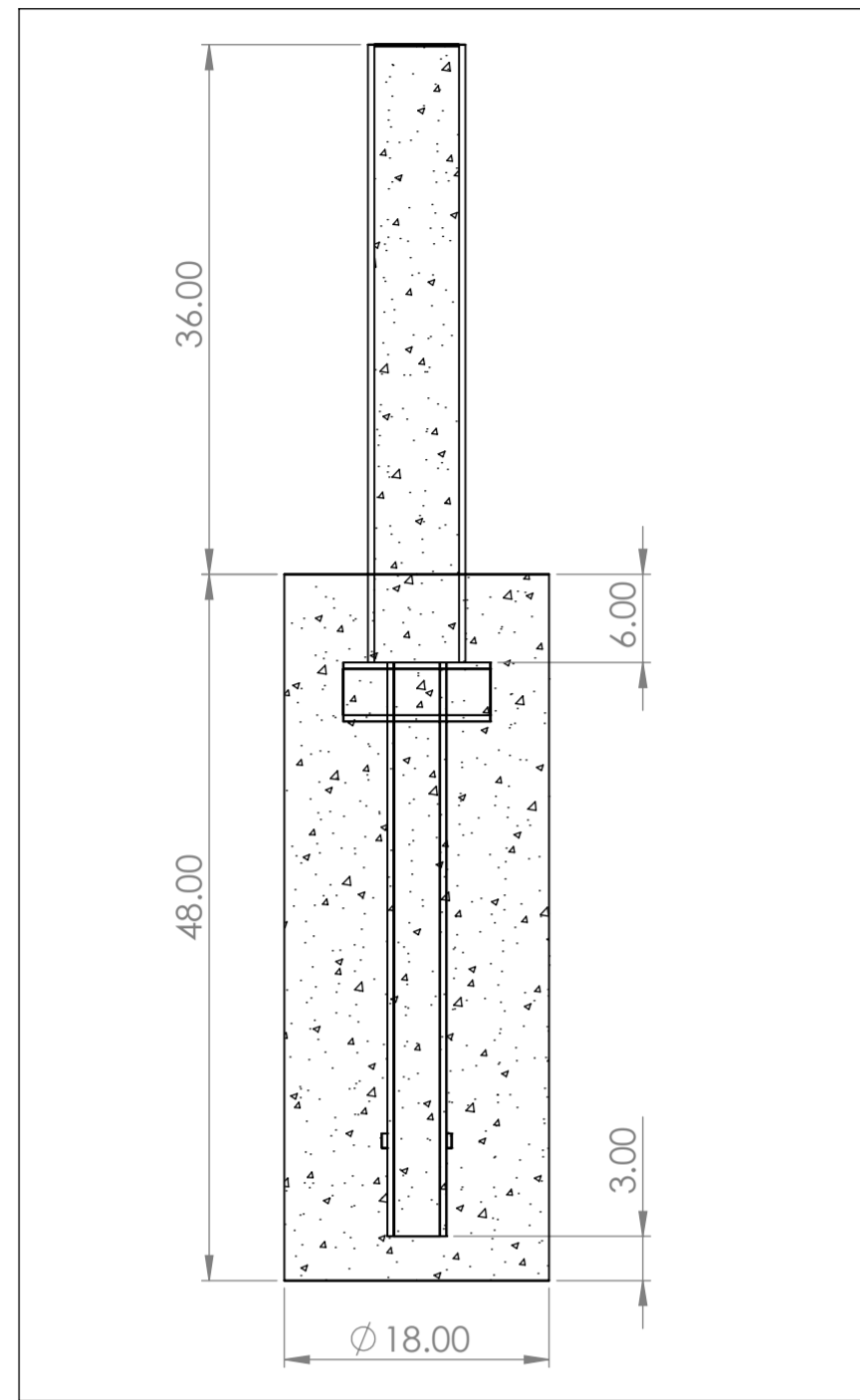
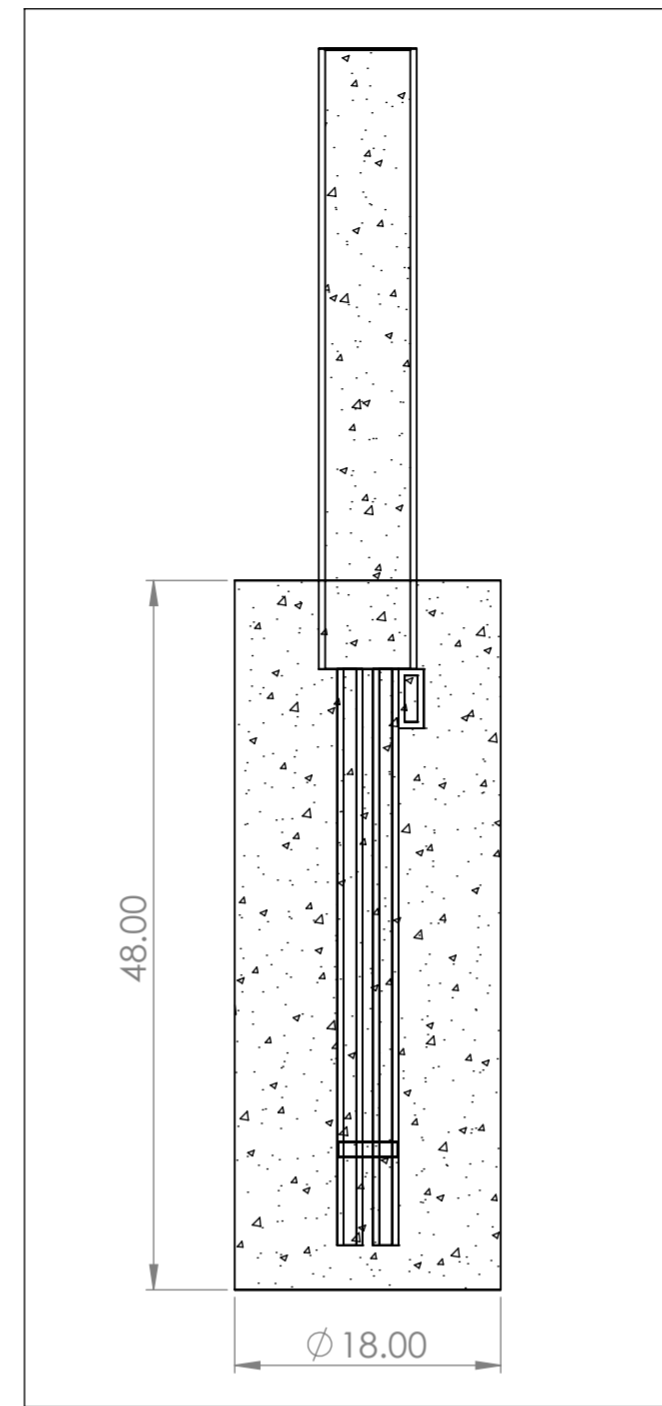


S20 DEEP MOUNT BOLLARD ASSEMBLY

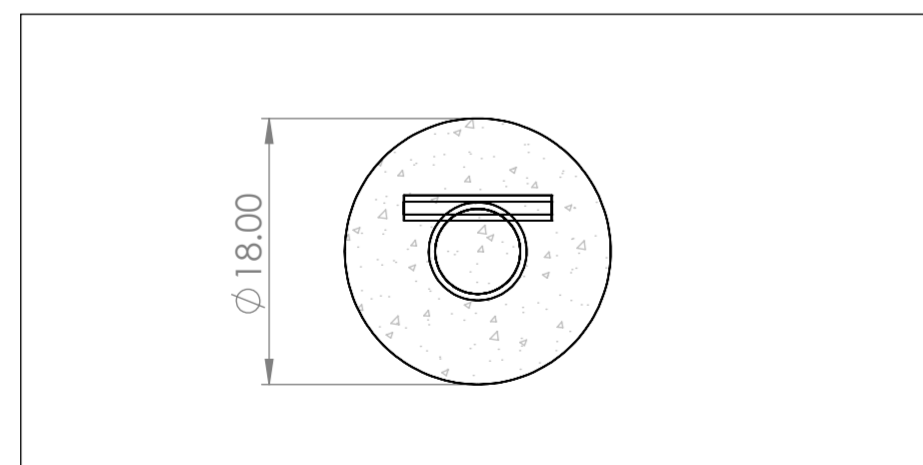
SINGLE BOLLARD ASSEMBLY



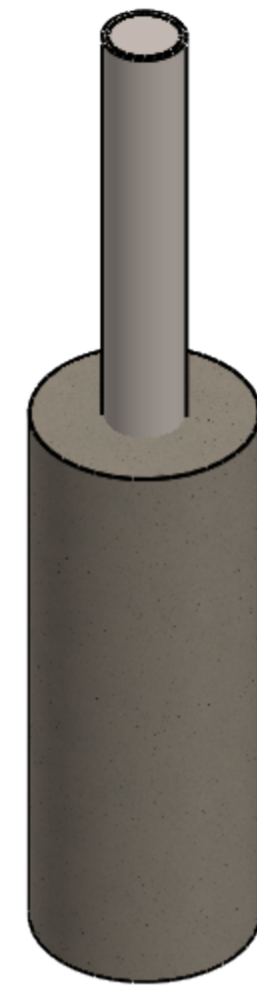
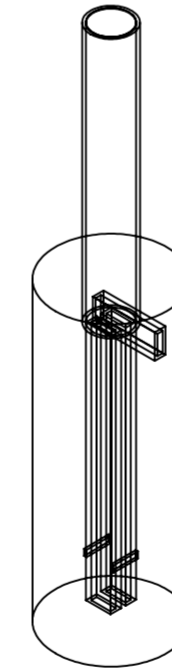
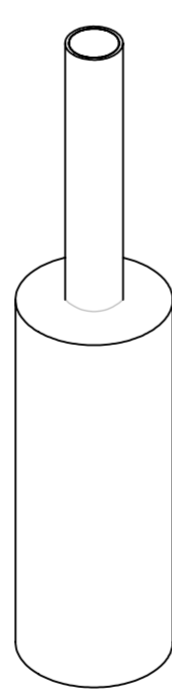
FRONT ELEVATION



SIDE VIEW



PLAN (TOP) VIEW



MATERIAL TABLE

DESCRIPTION	UNIT	QTY
BOLLARD(S)	EA	
CONCRETE (3500 PSI)	CY	

NOTES

1. ALL MATERIALS (BOLLARDS) WILL BE PROVIDED BY ATLAS EXCEPT FOR THE CONCRETE PROVIDED BY OTHERS
2. THE CONCRETE SHALL BE A MINIMUM OF 3,500 PSI
3. PROVIDE A MINIMUM CONCRETE COVER OF 3" AT THE BOTTOM AND 2" AT THE TOP AND SIDES, USE BLOCKS OR SPACERS AS NEEDED
4. BOLLARDS SHALL BE FILLED WITH CONCRETE, PROVIDE DOME/SLOPED CONCRETE TOP TO SHED WATER
5. BOLLARDS ARE AVAILABLE IN A FLAT OR SLOPED TOP, STEEL CAPS AND OTHER CUSTOM CONFIGURATION OPTIONS AVAILABLE
6. STANDARD BOLLARD SIZE IS 6" (6.625" OD) AND WITH 36" HEIGHT. CUSTOM HEIGHTS ARE AVAILABLE